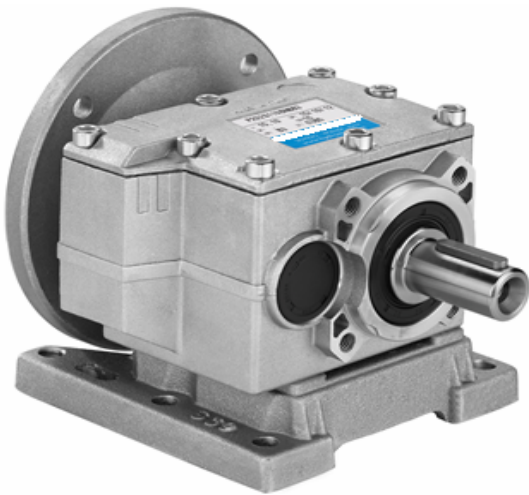




BRACO INDUSTRIAL

REDUCTOARE COAXIALE



BRACO INDUSTRIAL SRL

Sos Alexandriei 82, Bragadiru, jud Ilfov, Tel: 0214200254, Fax 0214200842, office@bracoindustrial.ro

www.bracomotoareelectrice.ro

REDUCTOARE COAXIALE

PARAMETRII PENTRU $n_1 = 1400\text{RPM}$

(pentru puteri mai mari sau rapoarte mai mari ce nu se regasesc in tabel va rugam sa ne contactati)

kW	TIP	raport i	n2 (rpm)	M2 (Nm)
0.55kW	41/2	7.50	186.67	27.00
	41/2	12.10	115.70	43.00
	45/2	18.70	74.87	67.00
	41/2	23.90	58.58	86.00
	45/2	30.20	46.36	109.00
	45/2	45.90	30.50	166.00

kW	TIP	raport i	n2 (rpm)	M2 (Nm)
1.5kW	41/2	7.50	186.67	72.00
	41/2	12.10	115.70	117.00
	45/2	18.70	74.87	181.00
	45/2	21.50	65.12	209.00
	452A	29.41	47.60	289.00
	602A	44.23	31.65	434.00

0.75kW	41/2	7.50	186.67	36.00
	41/2	12.10	115.70	59.00
	45/2	18.70	74.87	91.00
	41/2	23.90	58.58	117.00
	45/2	30.20	46.36	147.00
	45/2	37.30	37.53	182.00

2.2kW	45/2	7.40	189.19	104.00
	452A	9.45	148.15	136.00
	452A	11.43	122.48	165.00
	452A	14.21	98.52	205.00
	452A	16.62	84.24	239.00
	502A	20.10	69.65	290.00
	602A	24.61	56.89	354.00
602A	35.58	39.35	513.00	

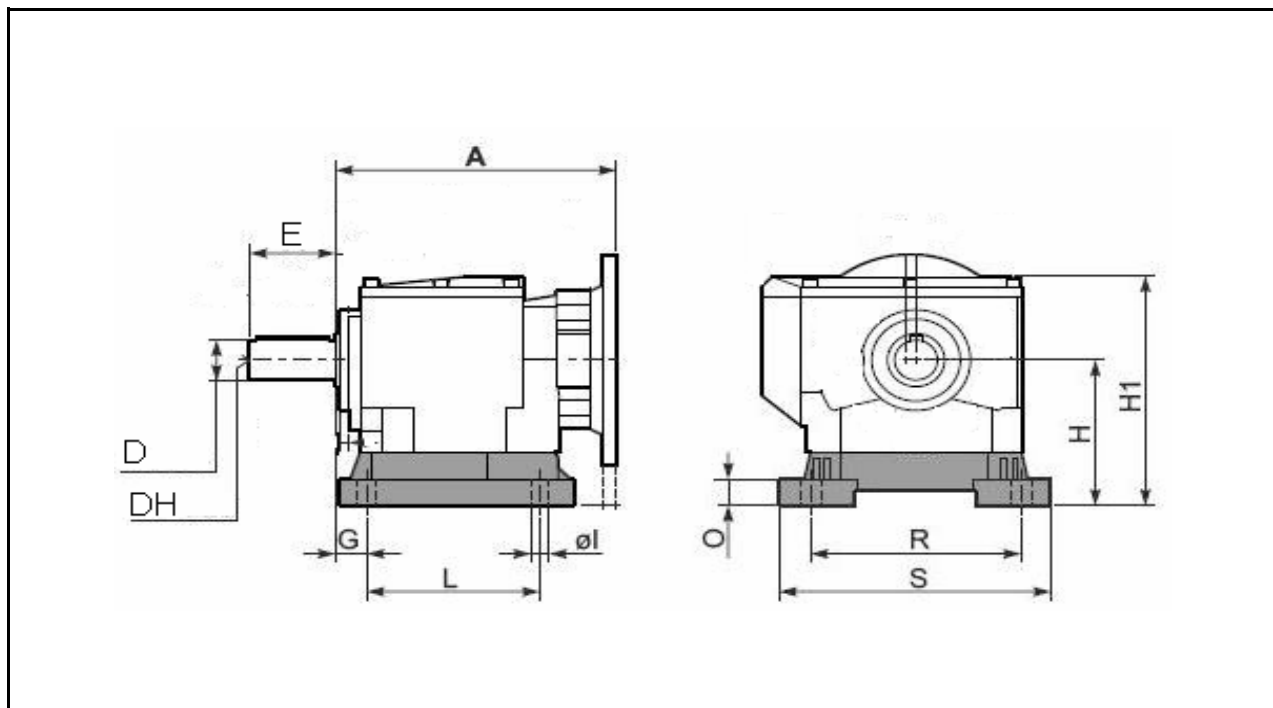
1.1kW	41/2	7.50	186.67	53.00
	41/2	12.10	115.70	86.00
	45/2	18.70	74.87	134.00
	45/2	21.50	65.12	154.00
	452A	24.98	56.04	180.00
	452A	29.41	47.60	212.00

3kW	45/2	7.40	189.19	141.00
	452A	9.45	148.15	186.00
	452A	11.43	122.48	225.00
	452A	14.21	98.52	279.00
	502A	16.62	84.24	327.00
	502A	20.10	69.65	395.00
	602A	24.61	56.89	483.00

4kW	452A	9.45	148.15	248.00
	602A	14.21	98.52	372.00
	602A	16.62	84.24	435.00
	602A	20.1	69.65	527

REDUCTOARE COAXIALE

DIMENSIUNI



Model	G	H	R	L	S	H1	O	Øl	E	D	DH	A
41/2	11.5	85	110	85	130	135	9	8.5	40	20	M6	151.5
45/2	13.5	100	130	108	155	154	11	11	50	25	M8	171.5
452A	30	115	135	165	170	167	24	13.5	60	30	M10	206.7
502A	30	115	135	165	170	216.5	24	13.5	70	35	M10	237
602A	35	140	170	205	204	243	8	14	70	40	M10	251.8